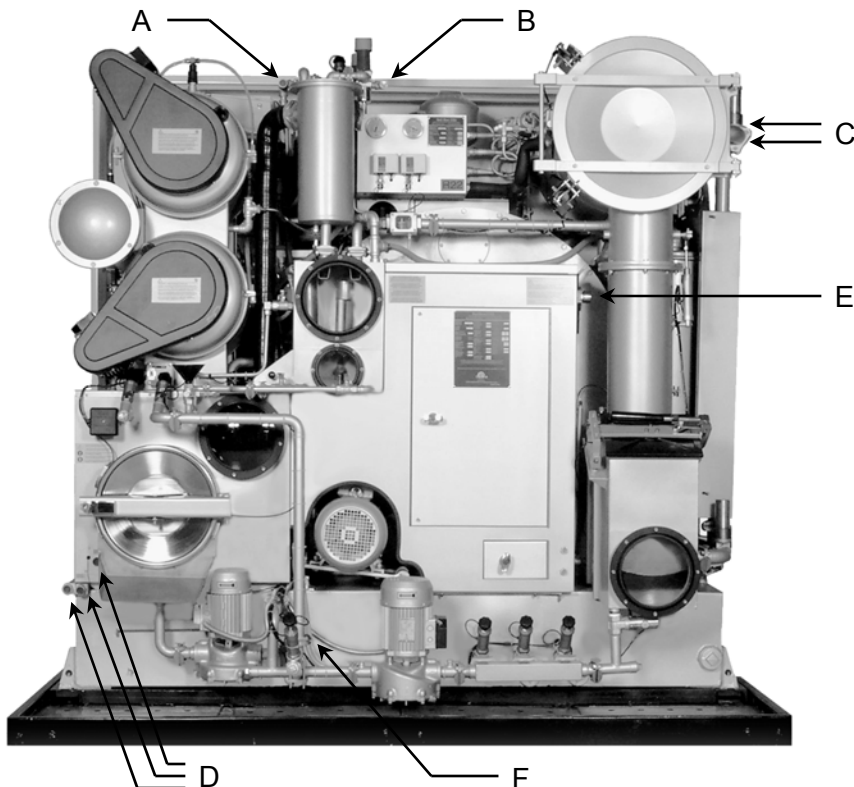
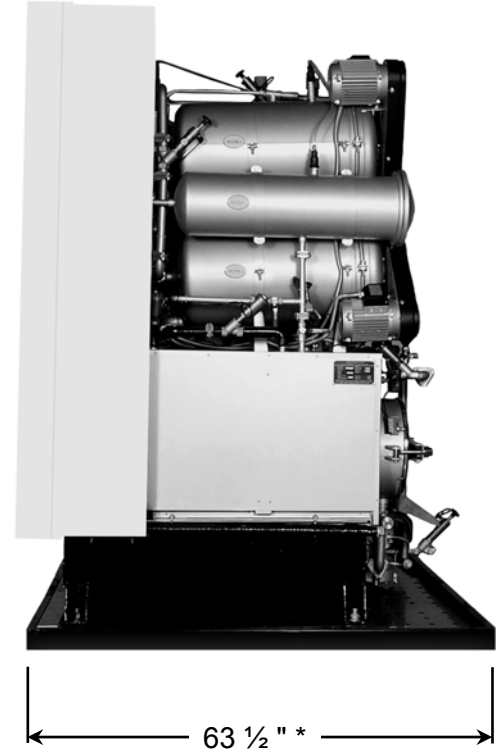


Technical Specifications Dry Cleaning Machine Model P 440



Legend		
A	Water Inlet	1/2"
B	Water Outlet	1/2"
C	Steam Inlet	1/2"
D	Steam Outlet	1/2"
E	Air Inlet	1/4"
F	Water Separator Outlet	3/8"

* Denotes dimension with safety trough



Technical Specifications Dry Cleaning Machine Model P 440

Capacity:		Filters:	
	40 lbs. dry weight	Ecological Filters:	2
		Double All-Carbon Filters:	1
Drum:		Volume: 16 gallons	
Diameter:	37 ¾ inches	Filtering Surface:	53 ft. ²
Depth:	18 ½ inches	Number Of Discs:	32
Volume:	11.7 ft. ³	Solvent Flow:	1,745 gal./hr.
Door Diameter:	19 ¾ inches		
		Pressures:	
Machine Dimensions:		(without safety trough)	
Width:	85 inches	Steam (min~max):	40~75 PSI
Depth:	59 ¾ inches	Water (min~max):	27~50 PSI
Height:	80 ¾ inches	Compressed Air (min~max):	80~125 PSI
		Connections:	
(with safety trough)		Water:	¾"
Width:	86 ¾ inches	Compressed Air:	¼"
Depth:	63 ½ inches	Steam Inlet:	½"
Height:	84 ½ inches	Steam Outlet:	½"
Speed:		Power Rating:	
Wash:	Up to 45 RPM	Drive Motor:	4.5 HP
Extract:	Up to 450 RPM	Pump Motor:	1.0 HP
		Refrigerator Compressor Motor:	5.0 HP
Tank Capacity:		Spin Filter Motor:	0.75 HP
Tank 1:	47 gallons	Carbon Adsorber Motor:	2.0 HP
Tank 2:	47 gallons	Fan Motor:	2.0 HP
Tank 3:	32 gallons	Sludge Pump Motor:	0.75 HP
Still Unit:		Operating Requirements:	
Solvent Capacity:	45 gallons	Water:	139 gal./hr.
Distillation Per Hour:	50 gallons	Compressed Air:	1.5 ft. ³ /hr.
		Saturated Dry Steam:	136 lbs./hr.
Machine Weight:			
Without Solvent:	4,978 lbs.	Installed Power:	
With Solvent:	6,678 lbs.	Steam Version:	35 Amps
Packed:	5,182 lbs.		
Dynamic Load:			
	474 lbs./ft. ²		

We reserve the right to update the above specifications without notice